

Model: DLL-401

Data

Type: Semi-hermetic piston compressors

Producer: Copeland

Series: DL

Model: DLL-401

Technical data

Cylinder count:	2
Displacement [m ³ /h]:	18,2
Weight [kg]:	93
Oil charge [dm ³]:	2,3
Max. operating current [A]:	9,3
Locked rotor current [A]:	68,5
Power supply [V/~/Hz]:	380-420V/3/50Hz

Connections

	<u>milimeters</u>	<u>inches</u>
Suction line:		1 1/8"
Discharge line:		5/8"

Model: DLL-401

Capacity

R22

Cooling capacity [kW]

t_c \ t_e	-40	-35	-30	-25	-20	-15	-10	-5	0	5	10
30	1.95	2.87	4.05	5.47	7.16	9.11	11.32	13.79	16.54	19.57	22.87
35	1.65	2.51	3.62	4.97	6.56	8.41	10.51	12.87	15.49	18.38	21.53
40	1.38	2.18	3.21	4.48	5.99	7.74	9.73	11.97	14.46	17.21	20.21
45	-	1.87	2.84	4.03	5.44	7.09	8.98	11.10	13.46	16.07	18.93
50	-	-	2.48	3.60	4.93	6.48	8.25	10.26	12.49	14.96	17.67
55	-	-	2.16	3.19	4.44	5.89	7.56	9.44	11.55	13.88	-
60	-	-	1.86	2.82	3.97	5.33	6.89	8.66	10.64	-	-

Power input [kW]

t_c \ t_e	-40	-35	-30	-25	-20	-15	-10	-5	0	5	10
30	1.71	1.98	2.26	2.54	2.80	3.04	3.24	3.39	3.49	3.51	3.44
35	1.71	2.00	2.31	2.62	2.92	3.20	3.45	3.66	3.81	3.90	3.90
40	1.71	2.02	2.35	2.69	3.03	3.35	3.65	3.91	4.12	4.27	4.34
45	-	2.03	2.39	2.76	3.13	3.49	3.84	4.14	4.41	4.62	4.76
50	-	-	2.42	2.82	3.22	3.62	4.01	4.37	4.69	4.96	5.16
55	-	-	2.45	2.87	3.31	3.74	4.17	4.58	4.95	5.28	-
60	-	-	2.48	2.92	3.39	3.86	4.33	4.78	5.21	-	-

Model: DLL-401

Capacity

Current [A]

$t_c \setminus t_e$	-40	-35	-30	-25	-20	-15	-10	-5	0	5	10
30	4.34	4.59	4.87	5.18	5.49	5.77	6.02	6.22	6.33	6.36	6.26
35	4.34	4.61	4.93	5.27	5.63	5.97	6.28	6.55	6.75	6.86	6.86
40	4.34	4.63	4.98	5.36	5.76	6.16	6.53	6.87	7.15	7.35	7.45
45	-	4.65	5.02	5.44	5.88	6.33	6.77	7.18	7.53	7.82	8.02
50	-	-	5.05	5.51	6.00	6.50	7.00	7.48	7.91	8.29	8.58
55	-	-	5.09	5.57	6.10	6.66	7.22	7.77	8.28	8.74	-
60	-	-	5.11	5.63	6.21	6.81	7.43	8.05	8.64	-	-

Mass flow [kg/s]

$t_c \setminus t_e$	-40	-35	-30	-25	-20	-15	-10	-5	0	5	10
30	44.28	64.42	89.41	119.20	153.72	192.93	236.75	285.13	338.02	395.36	457.09
35	39.10	58.77	83.27	112.54	146.52	185.16	228.39	276.16	328.42	385.09	446.13
40	34.00	53.20	77.21	105.96	139.40	177.47	220.11	267.27	318.89	374.90	435.26
45	-	47.77	71.28	99.52	132.41	169.92	211.97	258.52	309.49	364.85	424.52
50	-	-	65.54	93.26	125.62	162.56	204.02	249.95	300.29	354.98	413.97
55	-	-	60.05	87.26	119.07	155.45	196.32	241.64	291.34	345.37	-
60	-	-	54.87	81.55	112.83	148.64	188.92	233.63	282.69	-	-

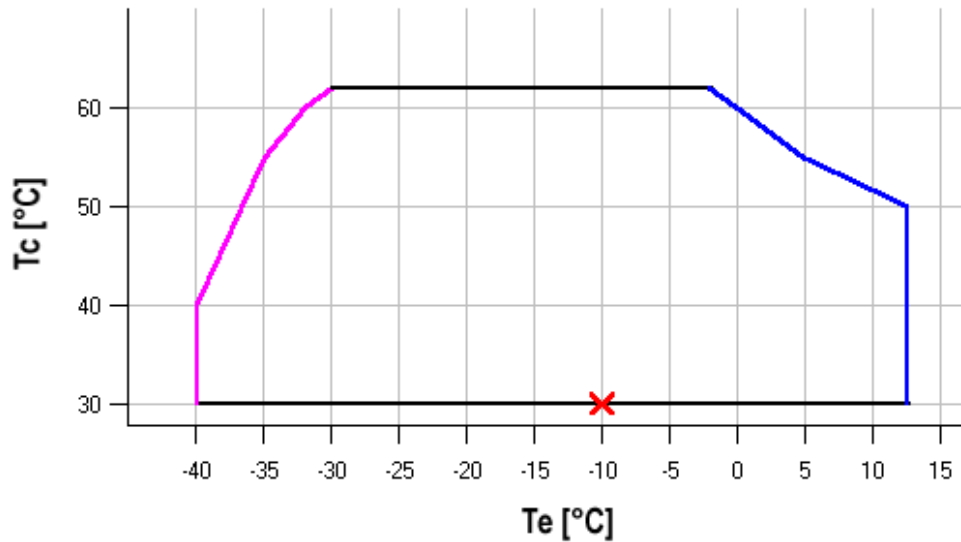
Model: DLL-401

Capacity

C.O.P. [W/W]

$t_c \setminus t_e$	-40	-35	-30	-25	-20	-15	-10	-5	0	5	10
30	1.14	1.45	1.79	2.16	2.56	2.99	3.49	4.06	4.74	5.58	6.64
35	0.96	1.25	1.57	1.90	2.25	2.62	3.04	3.52	4.06	4.72	5.52
40	0.80	1.08	1.37	1.66	1.98	2.31	2.66	3.06	3.51	4.03	4.66
45	-	0.92	1.19	1.46	1.74	2.03	2.34	2.68	3.05	3.48	3.98
50	-	-	1.03	1.28	1.53	1.79	2.06	2.35	2.67	3.02	3.42
55	-	-	0.88	1.11	1.34	1.57	1.81	2.06	2.33	2.63	-
60	-	-	0.75	0.96	1.17	1.38	1.59	1.81	2.04	-	-

Application range



- Maximum evaporating temperature
- 25°C suction gas return + additional cooling

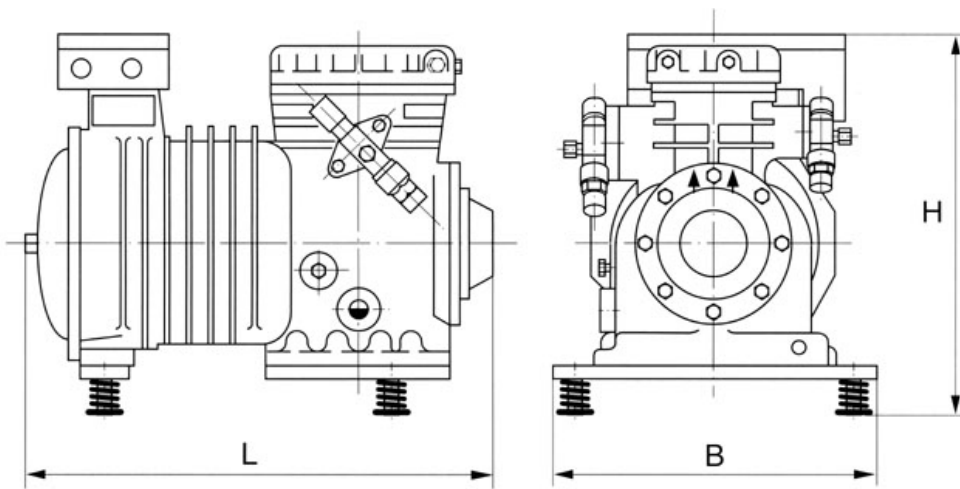
Operating conditions: ISO; subcooling: 0 K, suction superheat: 10 K, return gas temperature: -

t_c - Condensing temperature [°C]

t_e - Evaporating temperature [°C]

Model: DLL-401

Dimensions



L	460 mm
B	330 mm
H	385 mm

Model: DLL-401

Image

